

COMPACT Crono PRO Electric Actuator with ISO 5211 Multi-flange Mount-

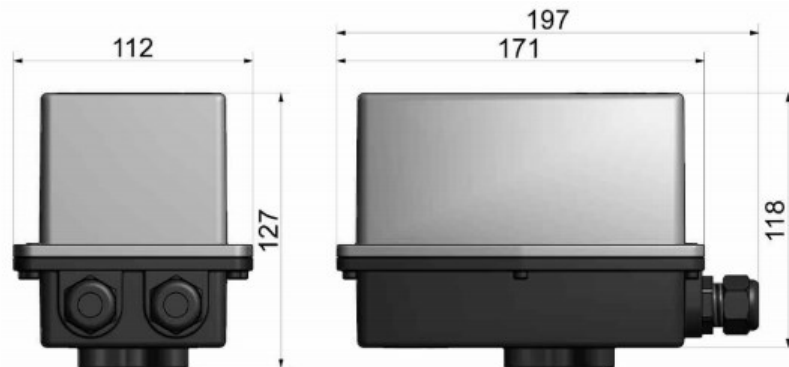


STANDARD SPECIFICATION:

- **Power Supply (110V Version on Request)**
230V—24V AC (50/60 Hz)
- **Input Power**
10 VA (230V)
10.6 VA (24V)
- **Standard Operating time (90° Rotation)**
45 sec (22Nm)
- **Degree of Protection**
IP 67
- **Operational room temperature (Lower Temperatures on Request)**
-10°C to +50°C
- **Adjustment Range**
-15°C to +85°C
- **ISO 5211 Connection**
FO3—FO5

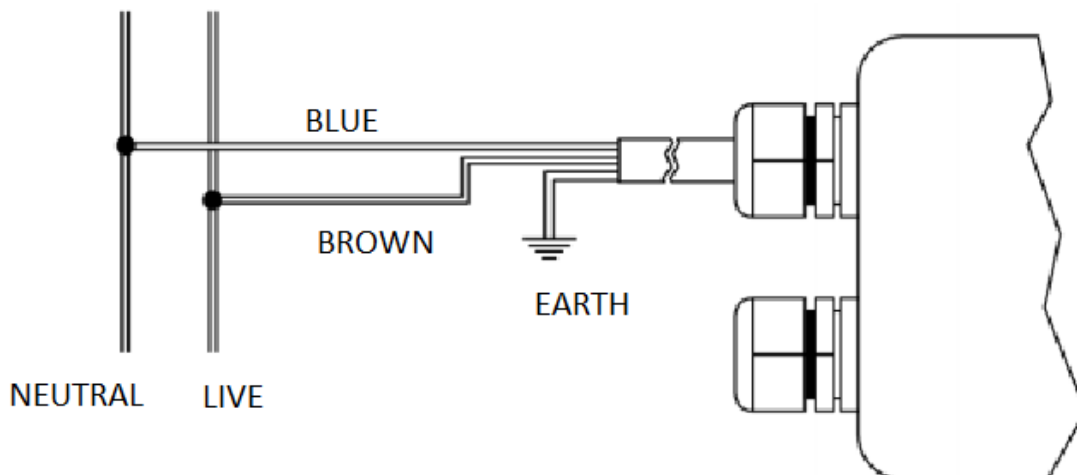
COMPACT Crono PRO Electric Actuator with ISO 5211 Multi-flange Mount-

Compact Crono PRO ISO 5211 Mount



Wiring Diagram

ON/OFF Actuator with Built in Programmable Timer



Dimensions in mm unless otherwise stated.

For details on the Compact Crono PRO Actuators please contact V-Flow Solutions for data sheets.

Information subject to alteration without prior notice