

Compact DC PRO Electric Actuator with ISO 5211 Multi-flange Mounting

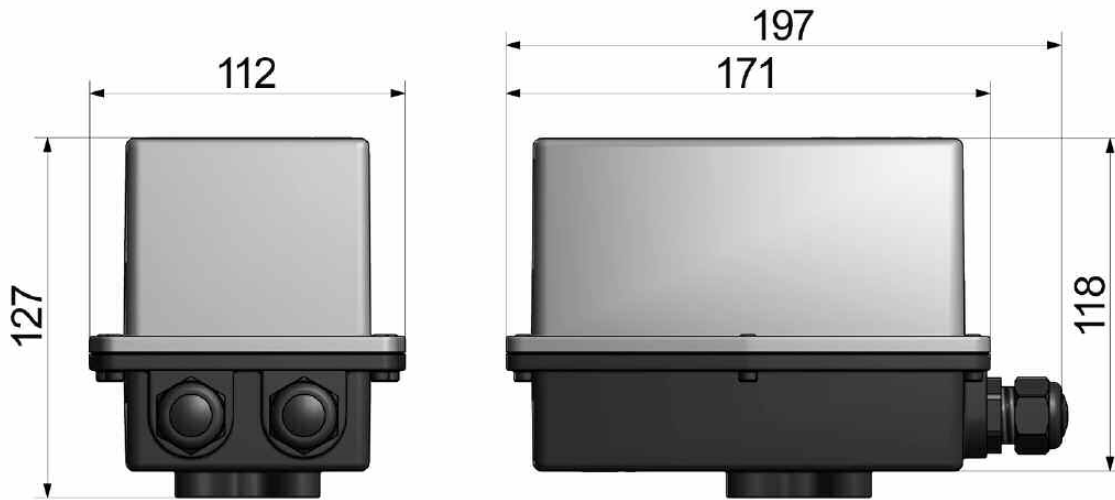


- **ISO 5211 Multi-flange mounting:**
F03 & F05 / 9mm—F05 11mm Star Drive
- **Electrical Control:**
2 Point / 3 Point
- **Twin Motor Design:**
Power to Open / Power to Close
- **Voltages and Currents:**
12V DC-AC 50/60Hz (Min 0.6A, Max 1.5A)
24V DC-AC 50/60Hz (Min 0.1A, Max 1.0A)
- **A Micro Switches:**
1A resistive max current
- **Rotation Options:** 90° and 180°
- **Ingress Protection:** IP67
- **Standard Operating Torque/Speed:**

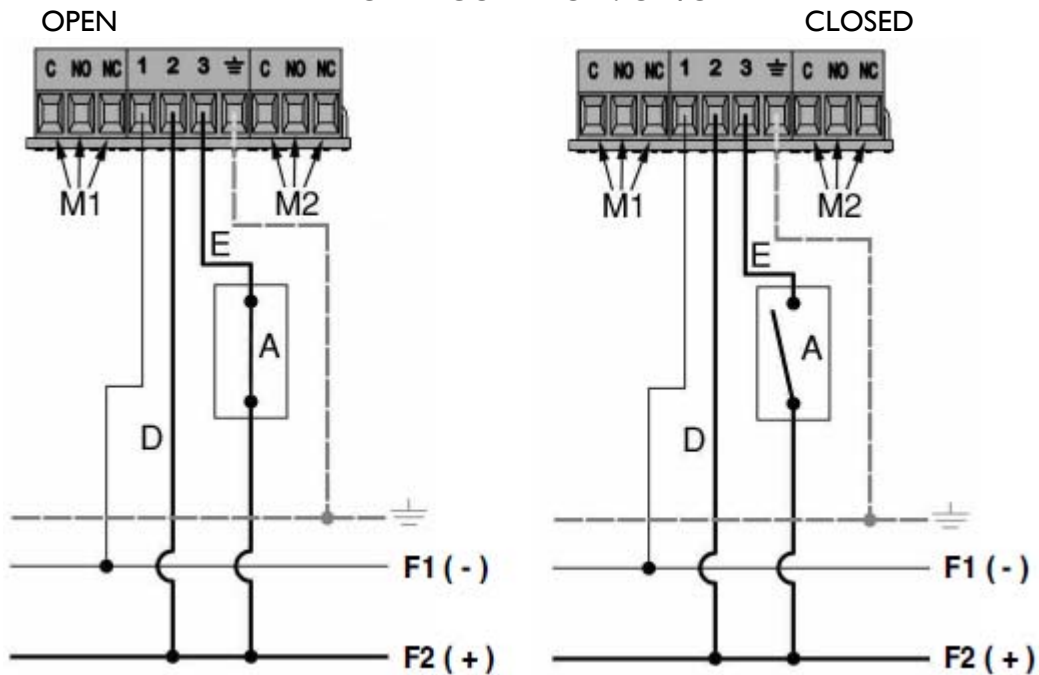
22Nm	90° 30 Sec
22Nm	180° 60 Sec
22Nm	90° 10 Sec
22Nm	180° 20 Sec
- **Ambient Temperature:**
-10°C to +50°C maximum
- **Seal Material:**
Silicon

Modulating duties please contact our sales office

Actuator Standard Design



2 POINT CONTROL : ON/OFF

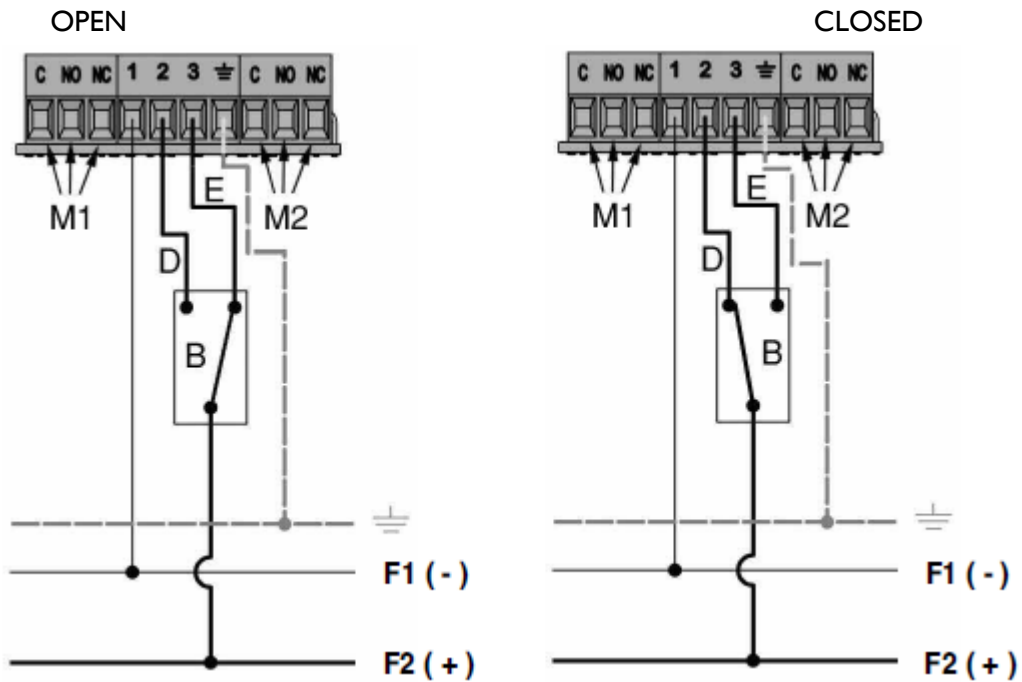


A: SWITCH
D: CLOSE
E: OPEN

C: COMMON
NO: NORMALLY OPEN
NC: NORMALLY CLOSED
M1: AUXILIARY MICRO SWITCH OPEN
M2: AUXILIARY MICRO SWITCH CLOSE

1 NEUTRAL
2 PERMANENT LIVE - CLOSE
3 SWITCHED LIVE - OPEN

3 POINT CONTROL : ON/OFF



B: SWITCH
D: CLOSE
E: OPEN

C: COMMON
NO: NORMALLY OPEN
NC: NORMALLY CLOSED
M1: AUXILIARY MICRO SWITCH OPEN
M2: AUXILIARY MICRO SWITCH CLOSE

1 NEUTRAL
2 LIVE - CLOSE
3 LIVE - OPEN