

## Compact Pilot PRO Electric Actuator with ISO 5211 Multi-flange Mounting

### MODULATING ELECTRIC ACTUATOR



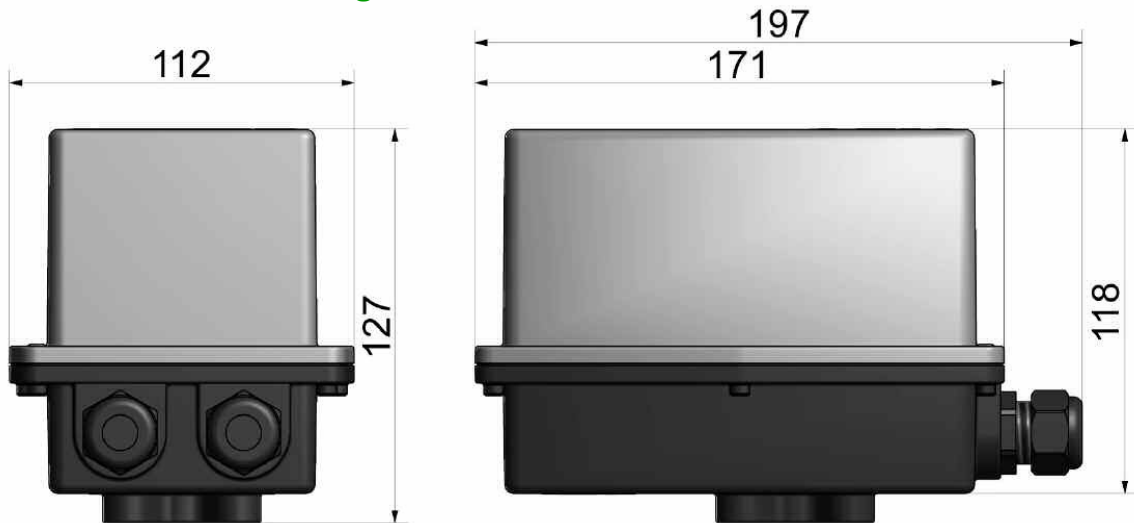
- **ISO 5211 Multi-flange mounting:**  
F03-F05 11mm star drive
- **Control Signal:**  
4-20mA 0-20mA 0-10V
- **Power supply (110V and 60 Hz on request):**  
230V • 24V AC
- **Power Absorbed:**  
2VA
- **Total Power Absorbed:**  
10 VA (230V) • 10,6 VA (24V)
- **Impedance:**  
100  $\Omega$
- **Rotation Options:** 90° ( $\pm 1^\circ$ )
- **Ingress Protection:** IP67
- **Standard Operating Torque/Speed:**  
22Nm | 90° 45 Sec
- **Ambient Temperature:**  
-10°C to +50°C maximum



# Compact Pilot PRO Electric Actuator



## Actuator Standard Design



## Actuator Wiring

