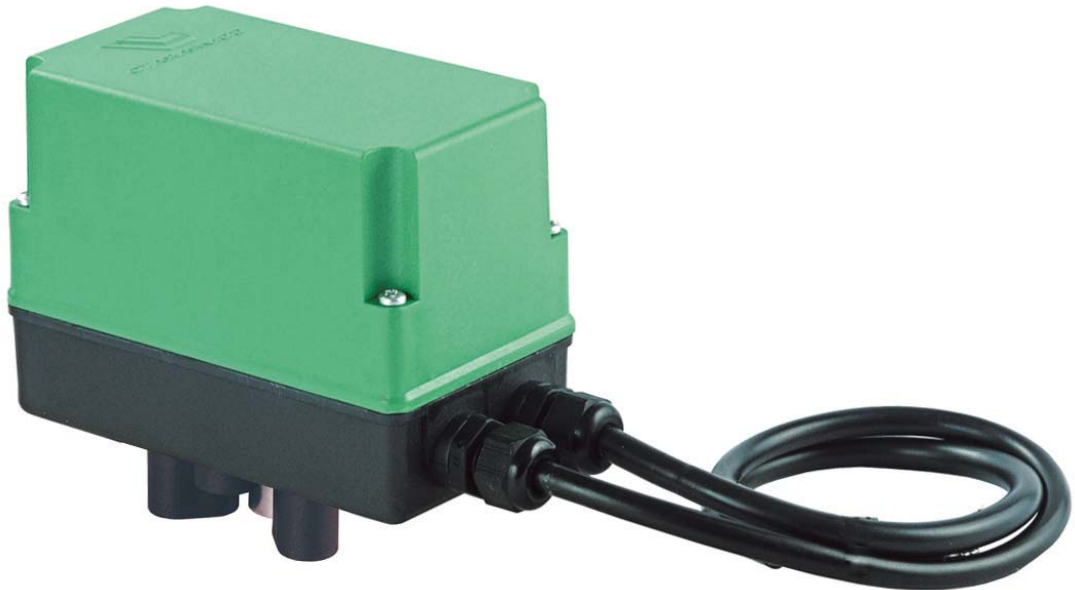


Diamant Pilot Electric Actuator with ISO 5211 Multi-flange Mounting

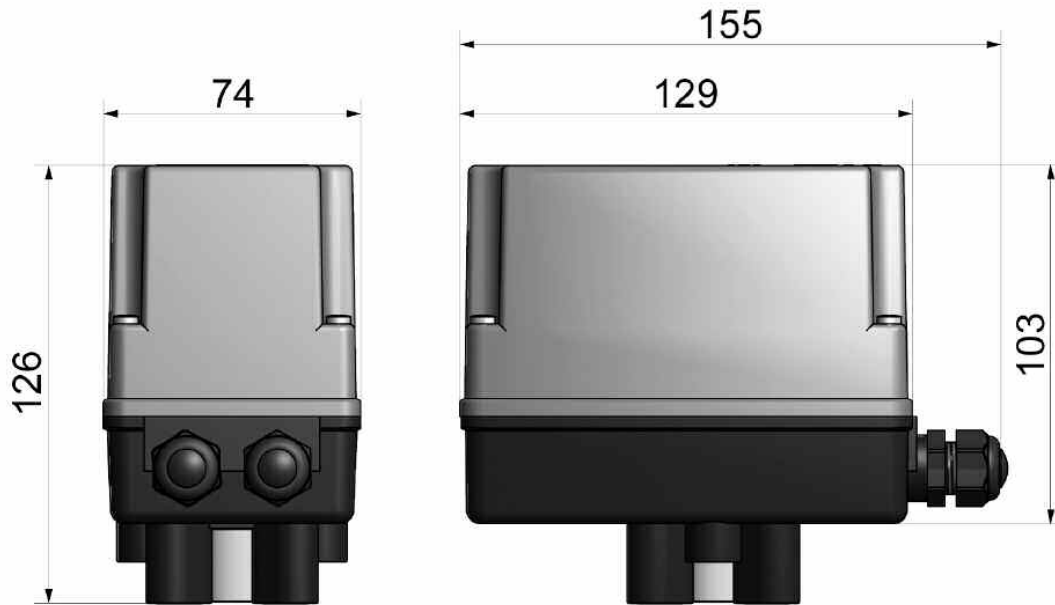
MODULATING ELECTRIC ACTUATOR



- **ISO 5211 Multi-flange mounting:**
F03-F05 11mm star drive
- **Control signal :**
4-20mA 0-20mA 0-10V
- **Power supply (110V and 60 Hz on request):**
230V • 24V AC
- **Power Absorbed:**
2VA
- **Total Power Absorbed:**
8.9 VA (230V) • 9.4 VA (24V)
- **Impedance:**
100 Ω
- **Rotation Options:** 90° ($\pm 1^\circ$)
- **Ingress Protection:** IP65
- **Standard Operating Torque/Speed:**
11Nm 90° 35 Sec
- **Ambient Temperature:**
-10°C to +50°C maximum

Diamant Pilot Electric Actuator with ISO 5211 Multi-flange Mounting

Actuator Standard Design



Actuator Wiring

