

## Manual 2-Way PVC Plastic Ball Valve

**BVS 11 / BVS 13**

**SPECIFICATIONS & OPTIONS**

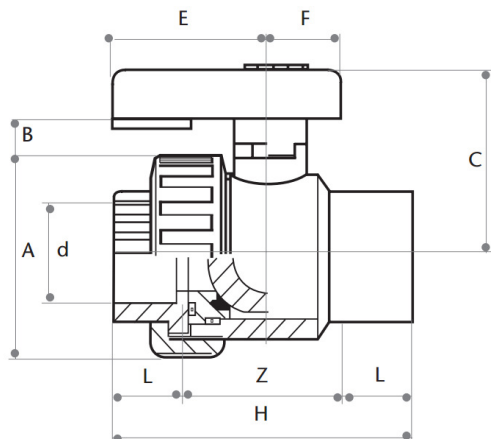


**Specifications;**

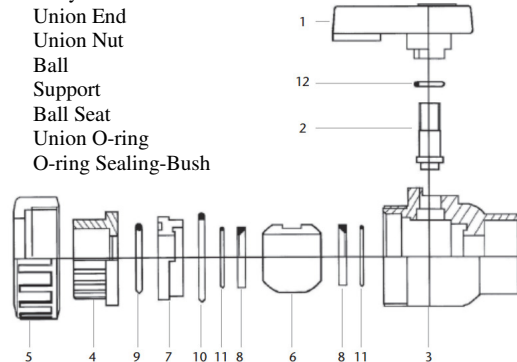
- PVC Single Union Ball Valve
- BSP Parallel Ends (BVS 11)
- Solvent Weld Ends (BVS 13)
- 10 bar rated
- Sizes from 3/8" to 4"
- Temperature 0°C to + 60°C (PVC)
- EPDM Seals

## BVS 11 / BVS 13 DIMENSIONS

Measurements in mm



- |     |                     |     |                  |
|-----|---------------------|-----|------------------|
| 1)  | Handle              | 11) | O-ring Ball Seat |
| 2)  | Stem                | 12) | O-ring Stem      |
| 3)  | Body                |     |                  |
| 4)  | Union End           |     |                  |
| 5)  | Union Nut           |     |                  |
| 6)  | Ball                |     |                  |
| 7)  | Support             |     |                  |
| 8)  | Ball Seat           |     |                  |
| 9)  | Union O-ring        |     |                  |
| 10) | O-ring Sealing-Bush |     |                  |



d	L	Z	H	A	B	C	E	F	Kg. PVC
3/8"	14	47	75	50	10	48	39	19	0.100
1/2"	16	46	78	50	10	48	39	19	0.110
3/4"	19	52	90	60	11	54	47	22	0.170
1"	22	59	103	68	13	62	55	25	0.250
1 1/4"	26	68	120	80	18	75	60	30	0.370
1 1/2"	31	75	137	96	20	87	68	35	0.560
2"	38	92	168	116	20	101	80	40	0.980
2 1/2"	44	124	212	145	25	123	90	45	1.825
3"	51	147	249	166	28	138	100	50	2.900
4"	61	159	281	210	28	160	120	60	4.790